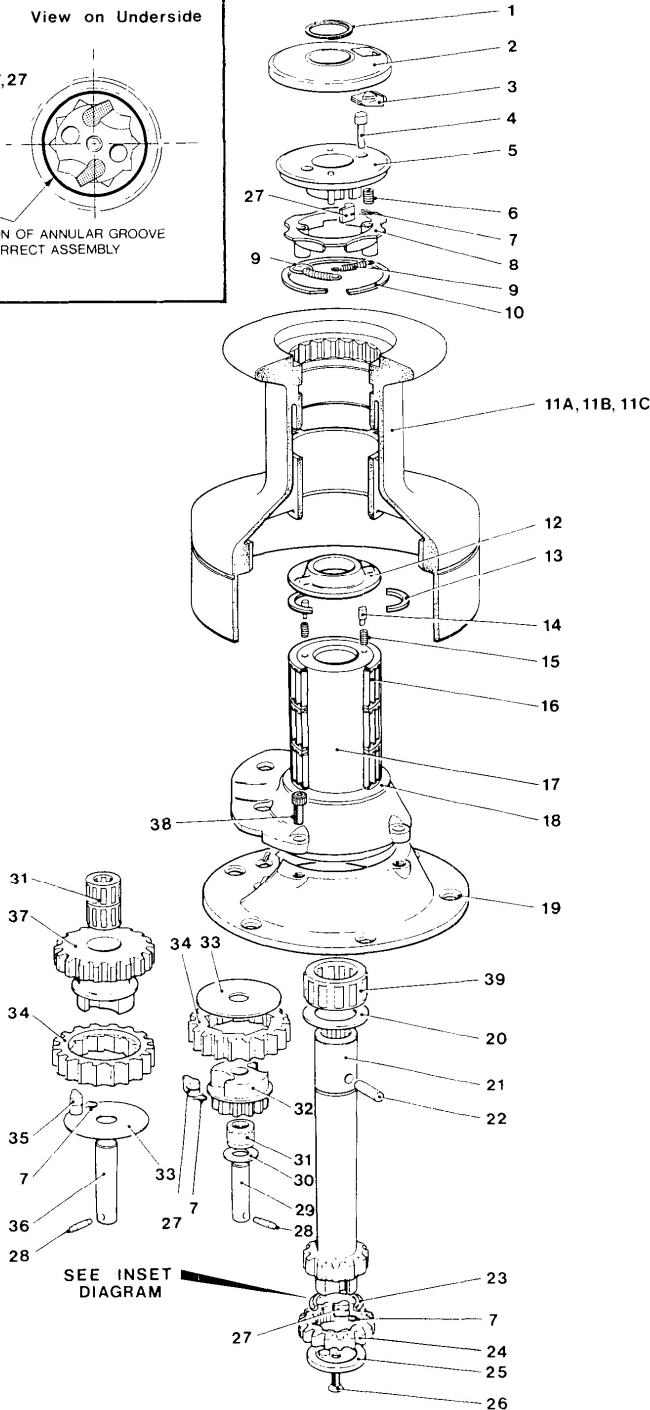
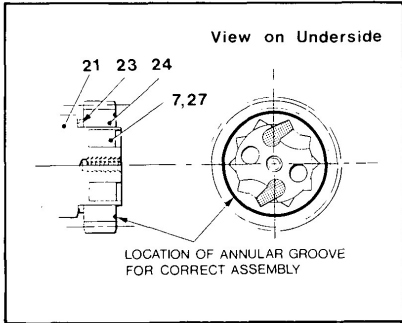


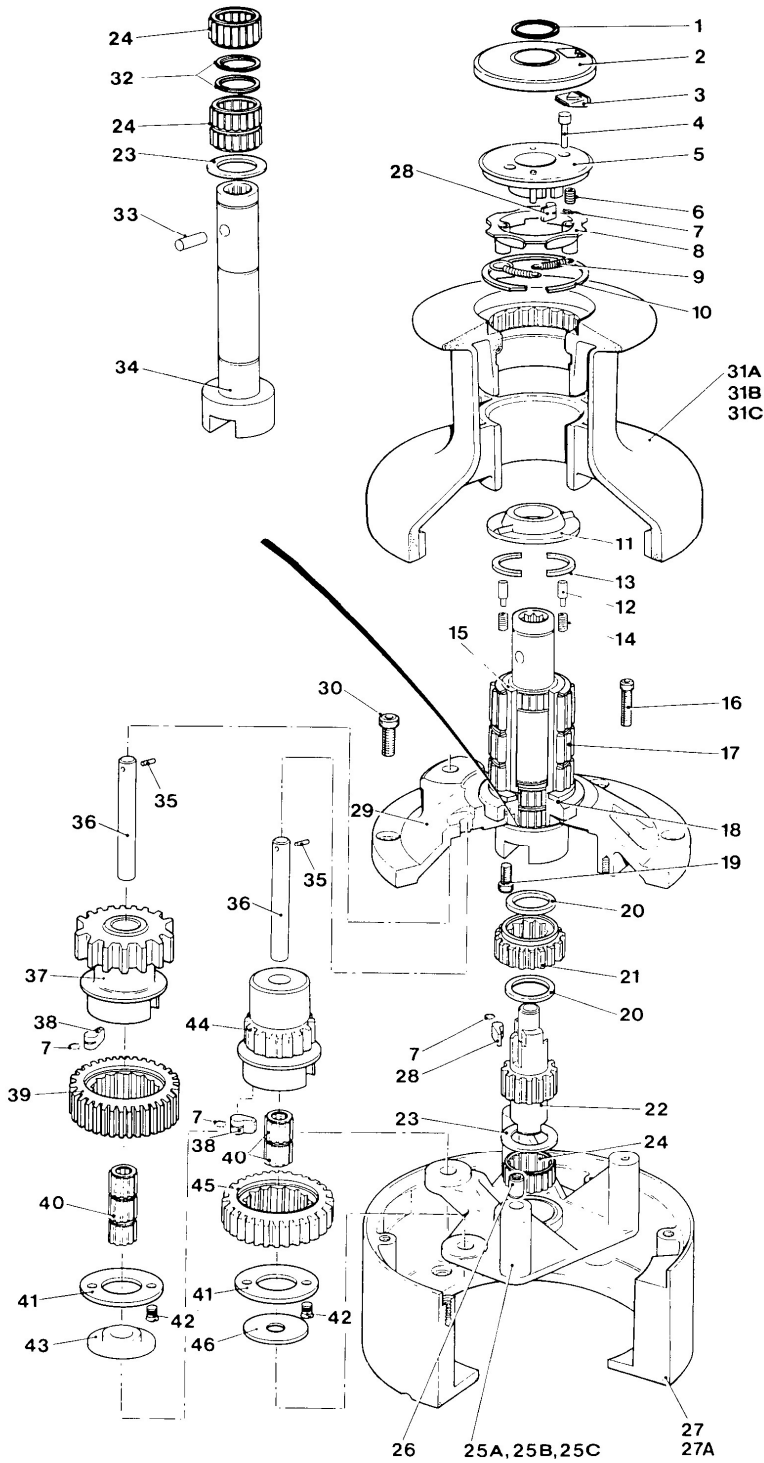
No.48



No. 48 3 Speed Winch

Item No.	Part No.	Description	No. Off
1	B2075	Circlip	1
2	15048106	Top Cap Cover	1
3	15044114	Push Button	1
4	15044111	Plunger	1
5	15044104	Top Cap Assembly	1
6	15044112	Spring	1
7	1260/7	Pawl Spring	8
8	15044106	Closing Ring	1
9	15044113	Spring	2
	15044115	Spring - Anchor Pin	2
10	B2083	Circlip	1
11A	15048102	Drum - Bronze	1
11B	15048202	Drum - Alloy	1
11C	15048302	Drum - St. Steel	1
12	15044105	Clutch Plate	1
13	15044118	Collet	2
14	15137203	Plunger	2
15	15137204	Spring	2
16	15044121	Roller Bearing	3
17	15000320	Centre Stem - Upper	1
18	15044116	Drum - Washer	1
19	15000014	Centre Stem - Lower	1
20	1300/21	Washer	1
21	15048103	Spindle	1
22	15044119	Drive Pin	1
23	15025107	Spacer	1
24	15000869	Ratchet Gear	1
25	15016107	Spindle End Gear	1
26	B0515	C'sk Screw - 1/4" UNC x 1/2" Long	1
27	1260/8	Pawl	4
28	B1516	Spirol Pin	2
29	15000016	Gear Spindle	1
30	1300/22	Washer	1
31	1300/SA2	Roller Bearing	3
32	1300/8	Pawl Gear	1
33	1264/7	Washer	2
34	1300/5	Ratchet Gear	2
35	1264/8	Pawl	4
36	15000015	Gear Spindle	1
37	1300/6	Pawl Gear	1
38	B0719	Skt. Hd. Cap Screw - 5/16" UNC x 3/4" Long	4
39	15000019	Bearing	1

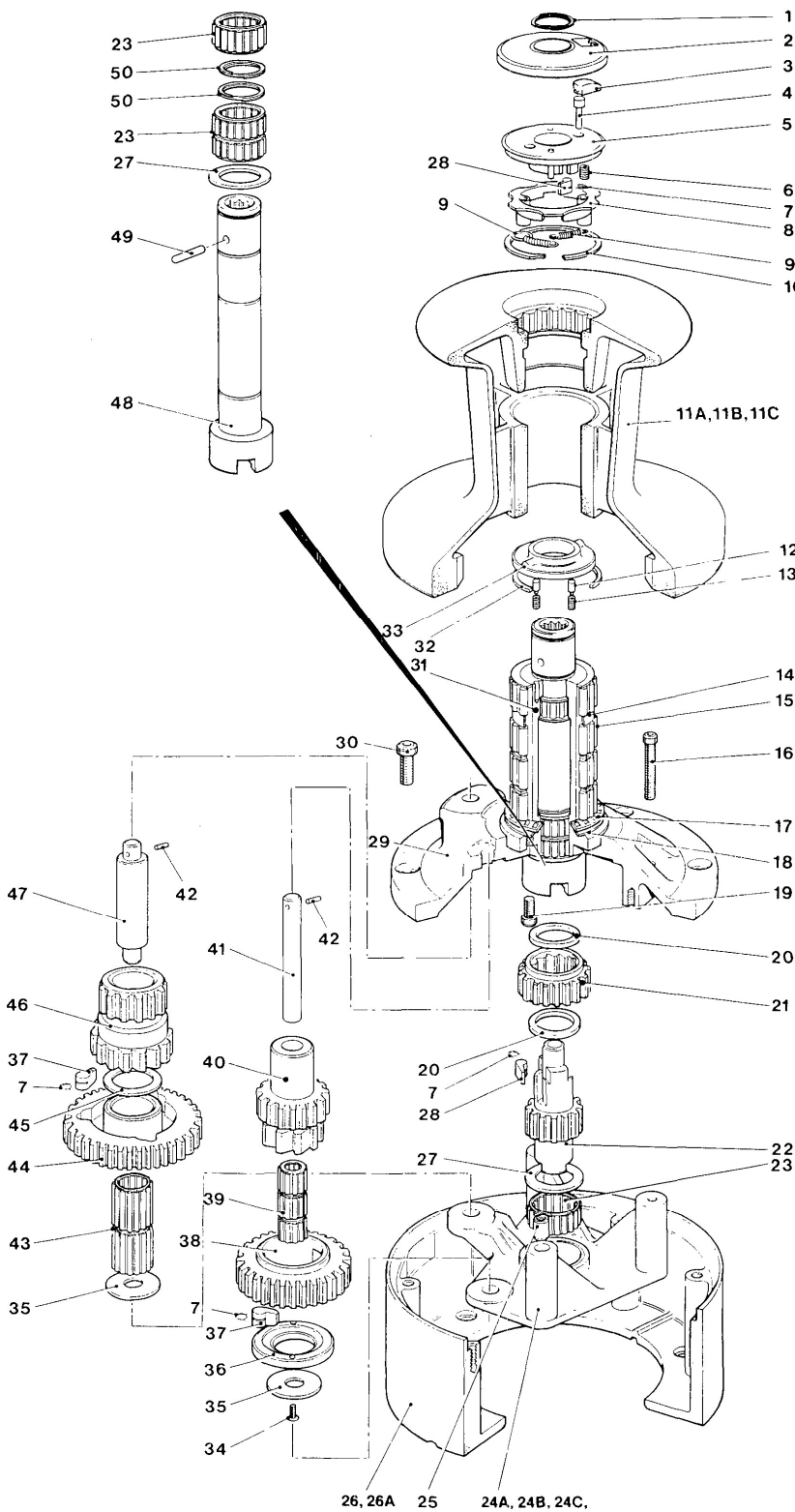
No.55



No. 55 3 Speed Winch

Item No.	Part No.	Description	No. Off
1	B 2075	Circlip	1
2	15055106	Top Cap Cover	1
3	15044114	Push Button	1
4	15044111	Plunger	1
5	15044104	Top Cap Assembly	1
6	15044112	Spring	1
7	15000466	Drum Washer	1
8	15044106	Closing Ring	1
9	15044113	Spring	2
	15044115	Spring – Anchor Pin	2
10	B 2083	Circlip	1
11	15044105	Clutch Plate	1
12	15137203	Plunger	2
13	15044118	Collet	2
14	15137204	Spring	2
15	15000256	Centre Stem Upper	1
16	B 0698	Skt. Hd. Cap Screw – $\frac{5}{16}$ " UNC \times $1\frac{1}{2}$ " Long	3
17	15044121	Roller Bearing	3
18	15000287	Drum Washer	1
19	B0737	Skt. Hd. Cap Screw – $\frac{5}{16}$ " UNC \times $\frac{1}{2}$ " Long	6
20	15000303	Spacer	2
21	15000259	Ratchet Gear	1
22	15000234	Spindle Extension	1
23	15000024	Washer	2
24	15000019	Roller Bearing	4
25A	15000252	Bridge Piece	1
25B	15000053	Sleeve – Bridge Piece	1
25C	B2401	Heli – Coil Insert	3
26	15065111	Hollow Dowel	2
27	15000265	Base	1
27A	B 2408	Heli – Coil Insert	4
28	1260/8	Pawl	4
29	15000251	Centre Stem Lower	1
30	B0714	Skt. Hd. Cap Screw – $\frac{3}{8}$ " UNC \times $\frac{3}{4}$ " Long	4
31A	15000269	Drum – Bronze	1
31B	15000268	Drum – Alloy	1
31C	15000267	Drum – S. Steel	1
32	B 2086	Circlip	2
33	15044119	Drive Pin	1
34	15000266	Main Spindle	1
35	B 1501	Spirol Pin	2
36	15000236	Gear Spindle	2
37	15000262	Pawl Gear	1
38	1264/8	Pawl	4
39	15000261	Ratchet Gear	1
40	15000017	Roller Bearing	5
41	1302/17	Retaining Plate	2
42	B0511	Csk. Screw – 2BA \times $\frac{3}{8}$ " Long	4
43	15000306	Flanged Bush	1
44	15000342	Idler Gear	1
45	15000260	Ratchet Gear	1
46	15000247	Washer	1

No.65



No. 65 3 Speed Winch

Item No.	Part No.	Description	No. Off
1	B 2075	Circlip	1
2	15065106	Top Cap Cover	1
3	15044114	Push Button	1
4	15044111	Plunger	1
5	15044104	Top Cap Assembly	1
6	15044112	Spring	1
7	1260/7	Pawl Spring	9
8	15044106	Closing Ring	1
9	15044113	Spring	2
10	B 2083	Circlip	1
11A	15000206	Drum – Bronze	1
11B	15000207	Drum – Alloy	1
11C	15000208	Drum – St. Steel	1
12	15137203	Plunger	2
13	15137204	Spring	2
14	15065115	Spacer	1
15	15044121	Roller Bearing	4
16	B 0698	Skt. Hd. Cap Screw – $\frac{5}{16}$ " UNC x $1\frac{1}{2}$ " Long	3
17	18080015	Thrust Bearing	1
18	15000082	Drum Washer	1
19	B 0730	Skt. Hd. Cap Screw – $\frac{5}{16}$ " UNC x $\frac{5}{8}$ " Long	8
20	15000303	Spacer	2
21	15000242	Ratchet Gear	1
22	15000241	Spindle Extension	1
23	15000019	Roller Bearing	4
24A	15000048	Bridge Piece	1
24B	15000053	Sleeve – Bridge Piece	1
24C	B 2401	Heli – Coil Insert	3
25	15065111	Hollow Dowel	2
26	15000197	Base	1
26A	B 2408	Heli – Coil Insert	6
27	15000024	Washer	2
28	1260/8	Pawl	4
29	15000049	Centre Stem Lower	1
30	B 0714	Skt. Hd. Cap Screw – $\frac{3}{8}$ " UNC x $\frac{3}{4}$ " Long	6
31	15000195	Centre Stem Upper	1
32	15044118	Collet	2
33	15044105	Clutch Plate	1
34	B 0511	Csk. Screw – 2 BA x $\frac{3}{8}$ " Long	2
35	15000247	Washer	2
36	15000023	Retainer	1
37	1264/8	Pawl	5
38	15000040	Pawl Gear	1
39	15000017	Roller Bearing	3
40	15000245	Idler Gear	1
41	15000240	Gear Spindle	1
42	B 1501	Spirol Pin	2
43	15000018	Roller Bearing	2
44	15000244	Pawl Gear	1
45	15000246	Washer	1
46	15000243	Ratchet Gear	1
47	15000239	Gear Spindle	1
48	15000198	Spindle	1
49	15000119	Drive Pin	1
50	B 2086	Circlip	2