



MODEL 2012 HEAVY DUTY 4" STROKE TWO HANDLE PUSH PULL CONTROL HEAD

The heavy duty design of this control makes it ideal for use on small C.P. propellers, small water jets and small mechanical clutches requiring up to 4" of stroke. Two different types of handles are available: Standard version or handles with red or black plastic grips.

FEATURES:

- Corrosion free die cast silicon bronze and stainless steel hardware
- 5 adjustable stroke ranges up to 4 inches
- Suitable for 30 series and 40 series cables
- LARGE center bearings
 - No lost motion
 - High strength
 - Low wear and long life
- Removable dome for easy head and cable installation
- Independent friction and detent (standard) are adjustable and removable
- Operating quadrants are positively pin-fastened to handle shaft for safety
- Suitable for series or parallel rigging
- Optional safety switch, which prevents engine starting unless control head is in neutral (centre) position, is available either pre-installed or in kit form
- Self-adhesive labels, instructions and a cutout template are included

ORDERING INFORMATION

- A - One short handle with friction and one long handle with detent
- AA - One short handle with friction and one long handle with friction
- B - Two long handles with detent
- C - Two long handles with friction
- D - Two long handles with one detent and one friction
- E - Two short handles with detent
- F - Two short handles with friction
- G - Two short handles with one detent and one friction
- *H - With one neutral safety switch
- I - Electric clutch adaptor
- *J - With two neutral safety switches
- K - With chrome finish cover and handles
- L - With polished brass finish cover and handles
- M - With black epoxy finish cover and chrome handles
- V - With red or black plastic grips

The standard model 2012 control head is supplied as follows:

- i. One short handle with friction and one long handle with detent
- ii. With chrome finish cover and handles
- iii. Without neutral safety switch

To order, state model number followed by Model Designation letter codes.

Example: A standard model 2012 control head would be
2012-AK

Note:

Cable connector kits are ordered separately. Each push pull cable end attached to the control head requires one kit.

Accessories Ordering Numbers:

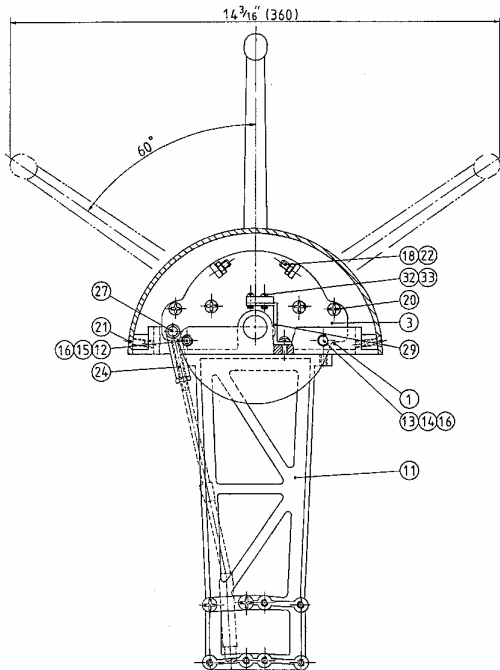
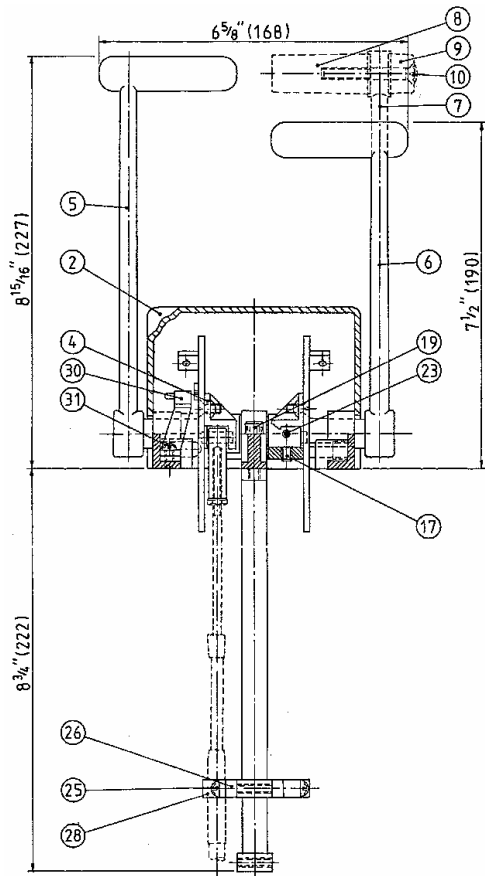
- | | |
|-----------|---------------------------------|
| 2012-0901 | Connector Kit (30 series cable) |
| 2012-0902 | Connector Kit (40 series cable) |
| 2012-0903 | Neutral Safety Switch Kit |
| 2012-0910 | Electric Clutch Kit |

Weight: 9.3 lbs. (4.2 kg)

* Neutral safety switch is normally installed with detented handle.

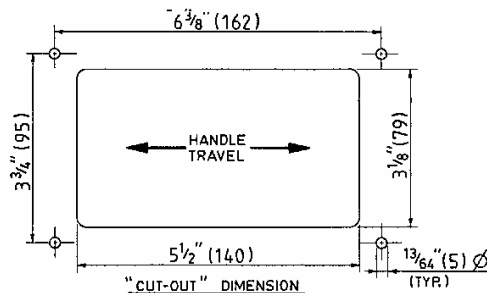
U.S. Pat. No. 4280371
CAN Pat. No. 1158136

2012 Dimensions and Parts List



Item	Qty	Part Number	Description
1	1	2012-0001	Frame
2	1	2012-0002	Dome
3	2	2012-0005	Pivot plate
4	2	2012-0006	Pin retainer
5	*1	2011-0003	Long handle (standard)
6	*1	2011-2004	Short handle (standard)
7	*1	5011-2003	Long handle (plastic grip)
7	*1	2011-2004	Short handle (plastic grip)
8	*1	2111-0002B	Plastic grip (black)
8	*1	2111-0002R	Plastic grip (red)
9	*1	2111-0005B	Grip end (black)
9	*1	2111-0005R	Grip end (red)
10	*2	1011-1032	Oval head screw
11	1	2011-0008	Support
12	*1	2012-0007	Detent pin
13	*1	2542-0008	Friction pad
14	*1	1201-0002	Spring
15	*1	1201-0003	Spring
16	2	1016-1204	Set screw
17	2	1016-1004	Set screw
18	4	1016-0808	Set screw
19	2	1002-1020	Socket head screw
20	8	1009-0808	Flat head screw
21	2	1006-0808	Oval head screw
22	4	1022-0108	Nut
23	4	1024-0816	Spring pin
		2012-0901 (30 series) Connection Kit	
24	1	2105-0001	Clevis
25	1	2108-0001	Clamp
26	1	2109-0001	Spacer
27	1	1037-0411	Pin
28	2	1010-0810	Round head screw
		2012-0902 (40 Series) Connection Kit	
24	1	2105-0002	Clevis
25	1	2108-0002	Clamp
26	1	2109-0001	Spacer
27	1	1037-0411	Pin
28	2	1010-0816	Round head screw
		2012-0903 Neutral Safety Switch Kit	
29	1	2011-0007	Bracket
30	1	1901-0001	Micro switch
31	1	1010-0804	Round head screw
32	2	1004-0208	Round head screw
33	2	1022-0102	Nut

• quantity may vary



All Dimensions in inches (mm)