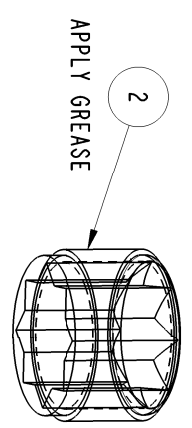


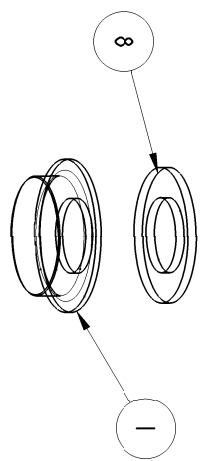
FIRST ANGLE PROJECTION

REMOVE ALL BURRS AND SHARP EDGES

ISSUE	REVISION	MOD No.	DATE
B	SEE MOD SHEET	HW4046	10-Jun-04



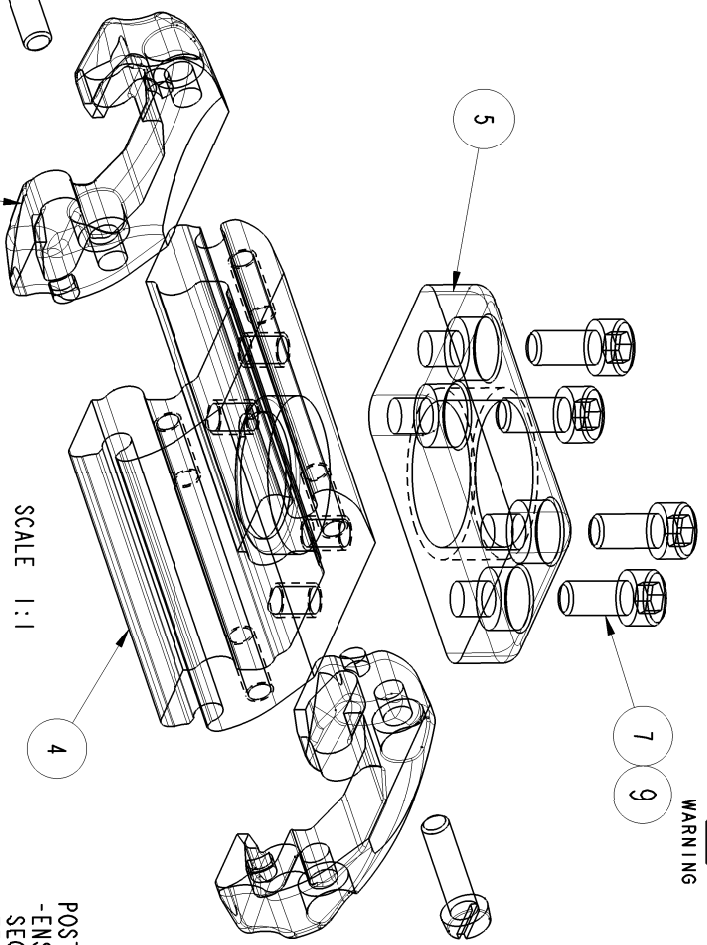
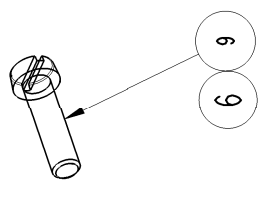
APPLY GREASE



WARNING

ITEM	PART No	DESCRIPTION	QTY
1	25000202	PRESSURE PAD	1
2	25000204	SZ2 & 3 ADJUSTER	1
3	25003440	SZ2 CAR BUFFER	2
4	25003780	SZ2 FRICTION STOP BODY	1
5	25003781	SZ2 FRICTION ADJ HOUSING	1
6	B0351	M5x20 SLT CHS HD	4
7	B0678-A4	M6x12mm SKT CAP HD SCREW A4	4
8	B1212-A4	M12 FORM B WASHER A4	1
9	B2602	D-LOCITITE 243 (NUTLOCK)	1

WARNING



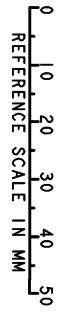
SCALE 1:1

POST-ASSEMBLY CHECKS  
 -ENSURE THAT ITEM 5 (FRICTION ADJ HOUSING) IS SECURELY ATTACHED AS PER FIXING NOTE 1.  
 -TEST OPERATION OF FRICTION ADJUSTER ON A SZ2 TRACK USING A WINCH HANDLE

WARNING  
 HAZARDOUS MATERIAL/PROCESS  
 FOLLOW LEMMAR/MANUFACTURERS  
 INSTRUCTIONS/SPECIFICATIONS

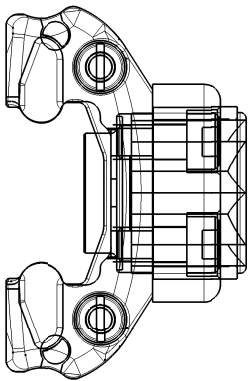
PART No.  
29472038

ORIGINAL SIZE A3

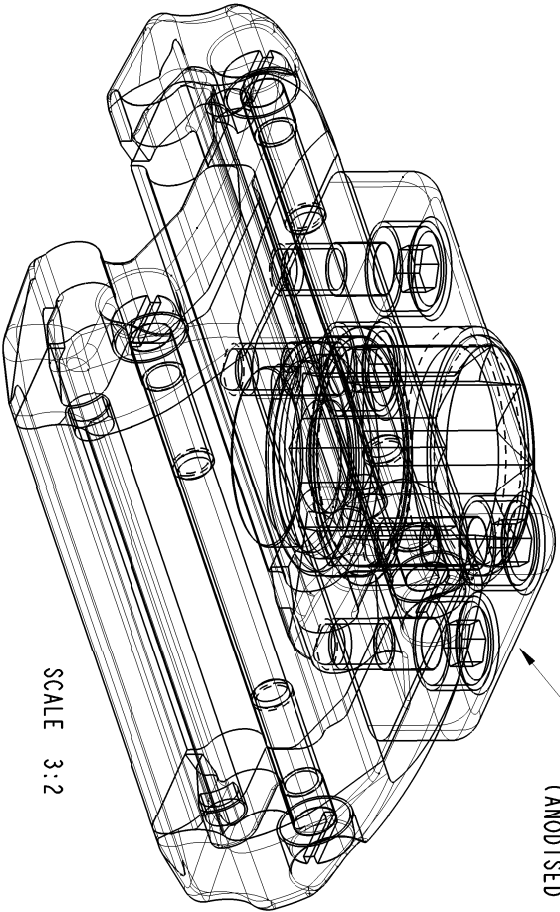
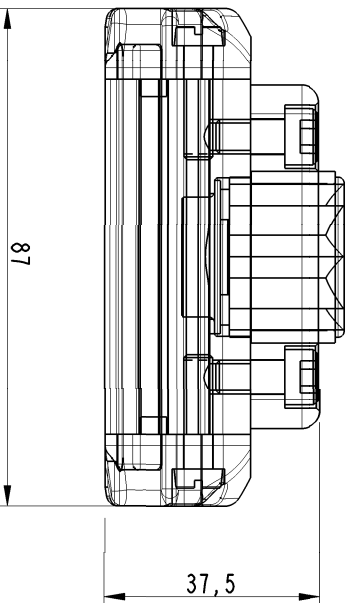


Unauthorised use, manufacture or reproduction  
 In whole or in part is prohibited

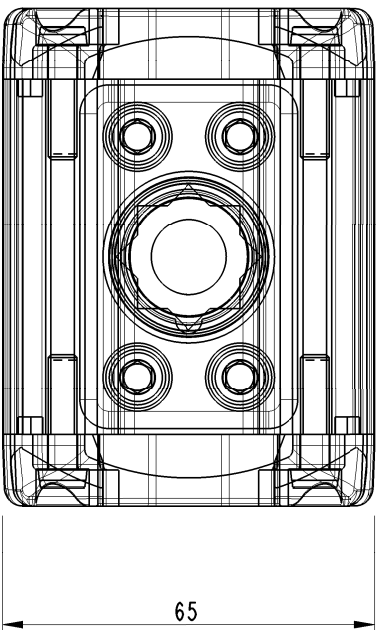
MATERIAL	FINISH	ALL DIMENSIONS IN mm	DRN	TITLE
TBD		TOLERANCES (UNLESS STATED) LINEAR ± ANGULAR ±	G PUGH DATE 10-Jun-04 SCALE 1:1	SZ2 FRICTION STOP
		MODEL NAME: 29472038		PART No. 29472038
				LEWMAR



MODIFIED S22 NTR PLUNGER STOP  
BODY WITH FRICTION ADJUSTER HOUSING  
(ANODISED ALUMINIUM)



SCALE 3:2



# LEWMAR

Unauthorized use, manufacture or reproduction  
in whole or in part is prohibited

Part Number : **29472038**

Saved as : 29472038

**S22 FRICTION STOP**

Date : 29-Apr-04

Issue : B

Drawn by : G PUGH