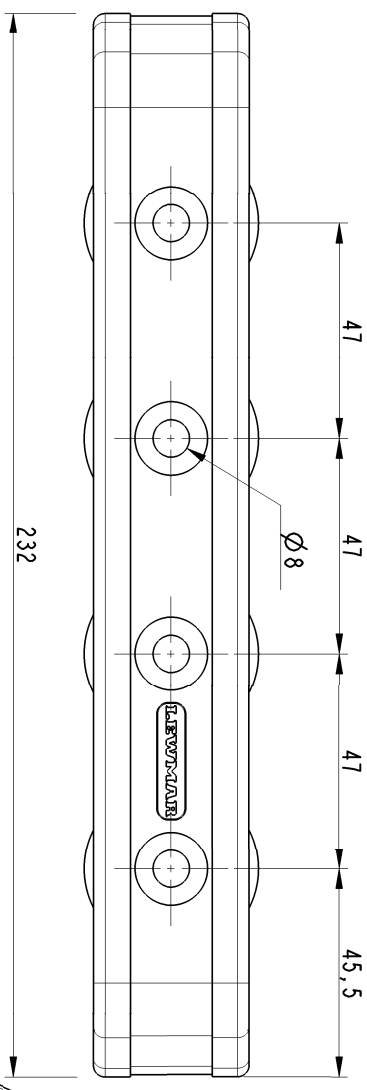
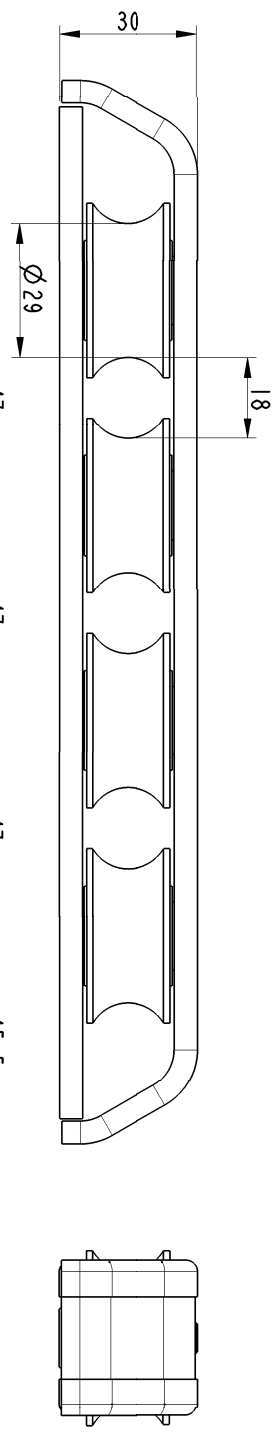


FIRST ANGLE PROJECTION

REMOVE ALL BURRS AND SHARP EDGES

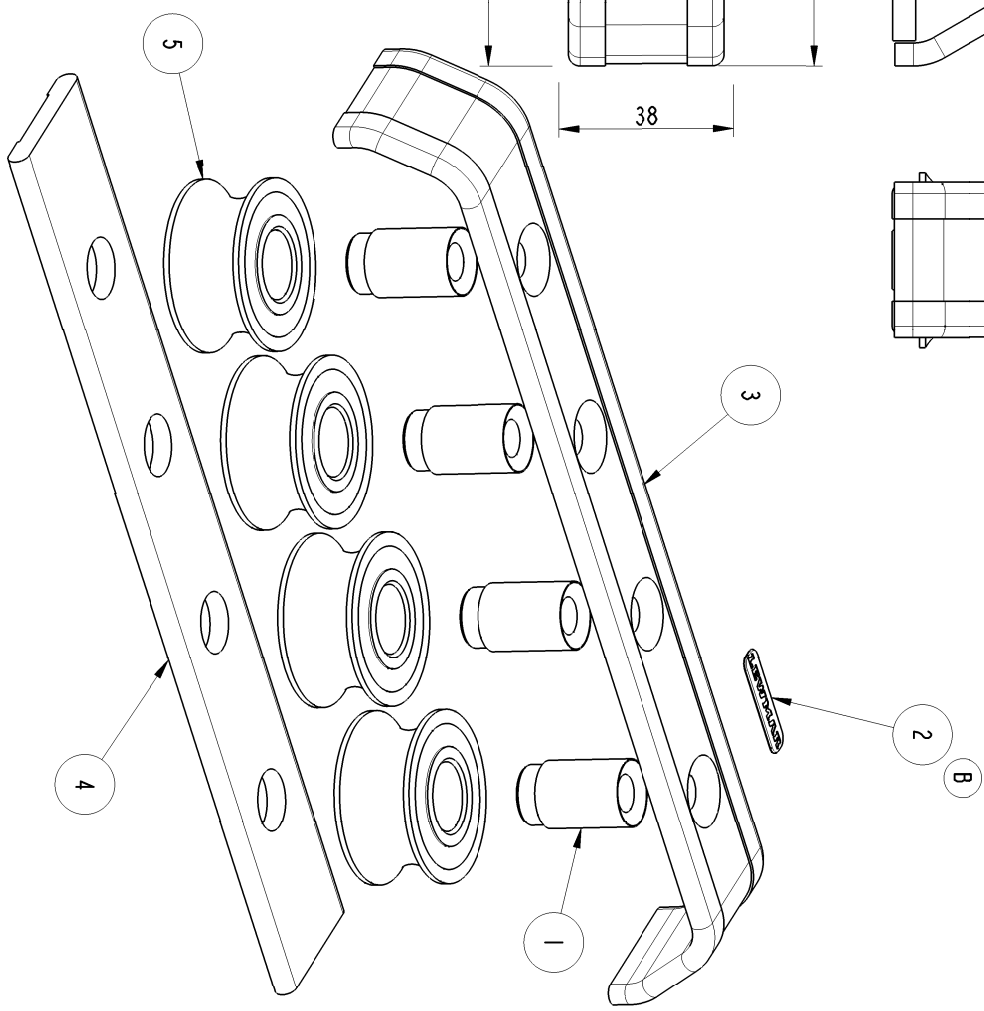
ISSUE	REVISION	MOD No.	DATE
B	SEE MOD SHEET	HW5022	27-Mar-08



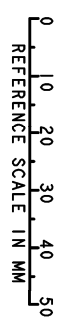
ITEM	PART No	DESCRIPTION	QTY
1	15900482	ORGANISER SPACER	4
2	25003982	SMALL LOGO (WHITE/BLUE)	1
3	15900485G	UPPER STRIP (4) ORG	1
4	15900490G	ORGANISER LOWER STRIP	1
5	15900496G	S21 ORGANISER SHEAVE	4

NOTES.

- DESIGN LOADS
SWL : 2010 Kg
BL : 4020 Kg
MAX WL SHEAVE : 610 Kg
BL SHEAVE : 1220 Kg
- MAXIMUM LINE SIZE
Ø 16mm
- WEIGHT
325 g
- FIXINGS
M8 OR 5/16" (NOT INCLUDED)



ORIGINAL SIZE A3



Unauthorized use, manufacture or reproduction
In whole or in part is prohibited

PART No.
29139104

MATERIAL	TBD
FINISH	TBD

ALL DIMENSIONS IN mm	DRN	G PUGH
TOLERANCES (UNLESS STATED)	DATE	27-Mar-08
LINEAR ± N/A	SCALE	4:5
ANGULAR ± N/A	MODEL NAME:	29139104

TITLE	OCEAN 40mm FOUR SHEAVE
PART No.	29139104
LEWMAR	